

Installation Guide



Simple, Unique, Environmentally Friendly Flat Roofing Edge Trim System

Install in 5 basic steps

Step 1

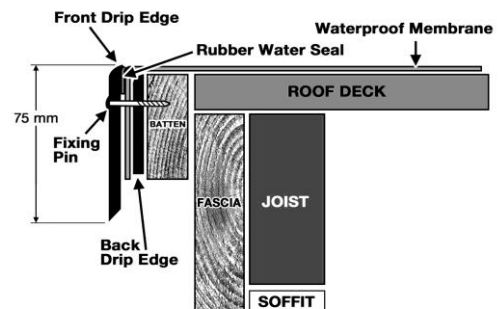
Before laying the waterproof membrane, fix a planed timber batten (approx. size 25mm x 50mm) around the roof perimeter, level with the top of the roof deck. We recommend the bottom of the batten is painted both for better appearance and to protect the timber.

Step 2

Drip Edge Trim – Back

Fix the back Drip Edge trim onto the batten adjacent to the gutter using the flat headed nails provided. Make sure the curved top section of the back edge trim is level, or just below the top of the batten. Apply the waterproof membrane over the roof and cut off any surplus at the bottom edge of the batten or the bottom edge of the back drip edge trim.

Cut and fold the membrane flat around the roof corners when installing thin single ply membranes. When using thick felt membranes avoid overlaps, keep the corner flat and waterproof. This allows the corner trim to fit snugly against the corner of the roof.



Step 3

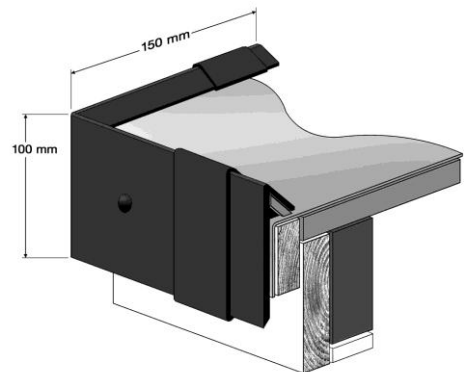
Quicktrim® Corner Installation

Corners should be installed onto the flat roof before installing the lengths of trim. They are available in both external and internal designs.

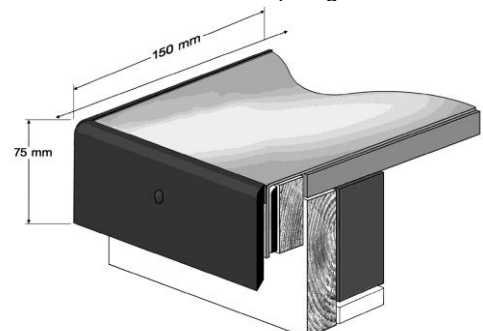
Extend the membrane over the edge of the roof to fully cover the back edge detail approximately 80mm. Cut & seal or fold the membrane around the roof edge (with no steps or bulges) and slide the trim down onto the membrane compressing the foam seal onto the roof.

Drill a 2mm pilot hole into the back trim section of the Drip Edge trim through the holes in the front section and gently hammer the fixings through the pre-drilled holes. Do not over tighten the fixing nails against the trim face.

check kerb corner detail

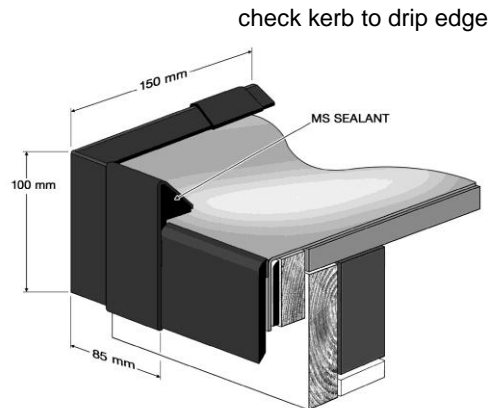


drip edge corner detail



Check to Drip Trim Corner Detail

Cut back the Check Kerb corner that meets the Drip Edge trim by 65mm and install the corner onto the roof as described above and fix into place using the flat headed brass coloured nail through the fixing hole on the cut down section. Fix the black headed nail through the hole on the Check Kerb side and then fix the clip as described above. Apply a black MS sealant to the end of the Check Kerb corner flush with the clip edge.

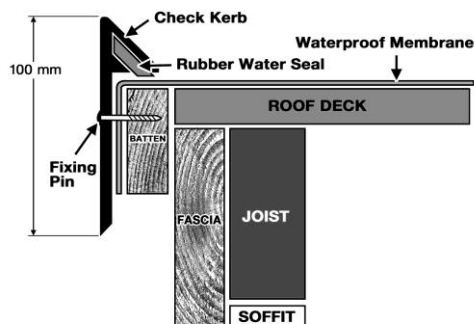


Step 4

Check Kerb Trim

Butt the first trim up to a corner section, compressing both seals together. On very cold days allow a minimum expansion gap of 5mm between the trims. Then gently hammer the fixing pins through the centre of fixing slots.

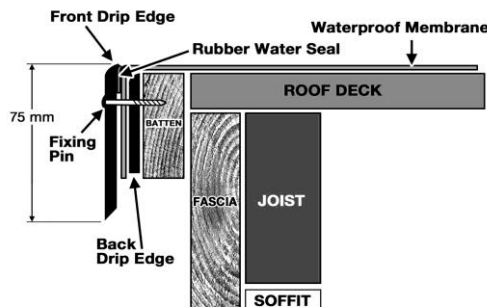
Apply a bead of sealant to one side of the joint to hold the Check Kerb joint clip in place. Apply the joint clip by hooking it under the bottom edge of the trim and at the same time snap the top of the clip over the top section of the Check Kerb.



Step 5

Drip Edge Gutter Trim

Fix the front Drip Edge trim over the membrane by firmly pushing down on the trim to compress the seal and at the same time drill a 2mm pilot hole through the front trim slot, into the back trim. Now pin through both trims using the fixing provided. The top section of the trim should now be level or just below the level of the roof to allow the water to pass over it and into the gutter. Finally fix the joint clips.



Fixing the Clips over Trim Joints

Apply a bead of MS sealant to one side of the joint. Apply the joint clip by hooking it under the bottom edge of the trim and at the same time snap the top of the clip over the top section of the trims and over the sealant. This will keep the clip in place and allow for thermal movement behind the clip.

HELPFUL TIPS:

Use a sharp saw to cut the trims down to size.

Drill trims with a 5mm long slot if further fixings are required.

Always make sure two rubber seals are between the joints.

To insert a trim between corners measure between the corners or trims and deduct 10mm.

Slight marks on the trims can be removed using CIF cream cleaner and a soft cloth.

On very cold days allow a minimum expansion gap of 5mm between the trims.

The Original Quicktrim® Flat Roofing Edge Trim System

Manufactured by
Plytech UK Ltd

41 Marsh Green Road West, Marsh Barton Industrial
Estate, EXETER, Devon EX2 8PN

Telephone 0845 421 0562 Fax 0845 421 0569 / 01392

256002, Email: sales@plytech.co.uk

Web: www.plytech.co.uk

